

## **CHOKE VALVES & ACTUATORS** “Lifetime Partners of Your Well”

### **CHOKE VALVES**

Engineered for Today’s Harsh Environments

Manufactured in accordance to API 6A / Q1, ABSA CRN, & NACE

### **Premium Flow Control Products**

With customized equal percentage trim characteristic

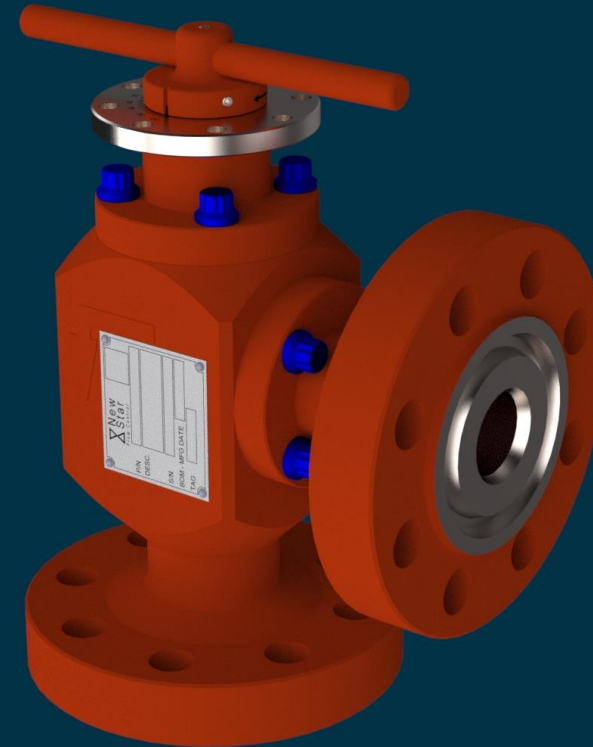
### **About New Star Flow Control**

Reliable products for the oil & gas industry through engineering and quality

New Star Flow Control Inc. manufactures premium flow control products for high-performance oil and gas companies worldwide.

We combine rigorous research with our unique engineering capabilities to create products that deliver world-class results each and every time.

Being a world-class manufacturer of choke valves, New Star delivers quality product on time to our customers around the world



9822 - 44 Ave, Edmonton  
Alberta, Canada T6E 5S5  
**+1 (780) 433-7098**

[www.newstarflowcontrol.com](http://www.newstarflowcontrol.com)  
[info@newstarflowcontrol.com](mailto:info@newstarflowcontrol.com)

**“The content of this product information sheet is subject to change without notice”**

## ANGLE BODY CHOKE VALVE - “EA Series”

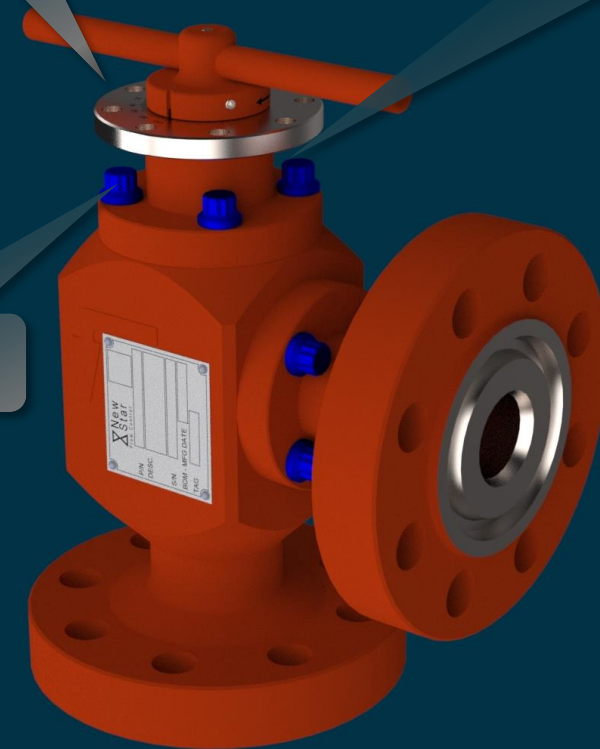
### SMART FEATURES

- Choke can remain installed in the pipeline for trim changes, huge cost savings for end user
- Reduced torque stem design, lowering cost for actuation components
- Quick and simple maintenance
- Customizable ports to optimize performance
- Solid Tungsten Carbide trim as standard
- Replaceable Tungsten outlet wear sleeve
- Large Cv of 20.00
- Large trim positioning visual indicator
- API – M/C (EE-.5), Temp (L/U) as standard
- All optional API material classes are available

Quarter Turn Operating

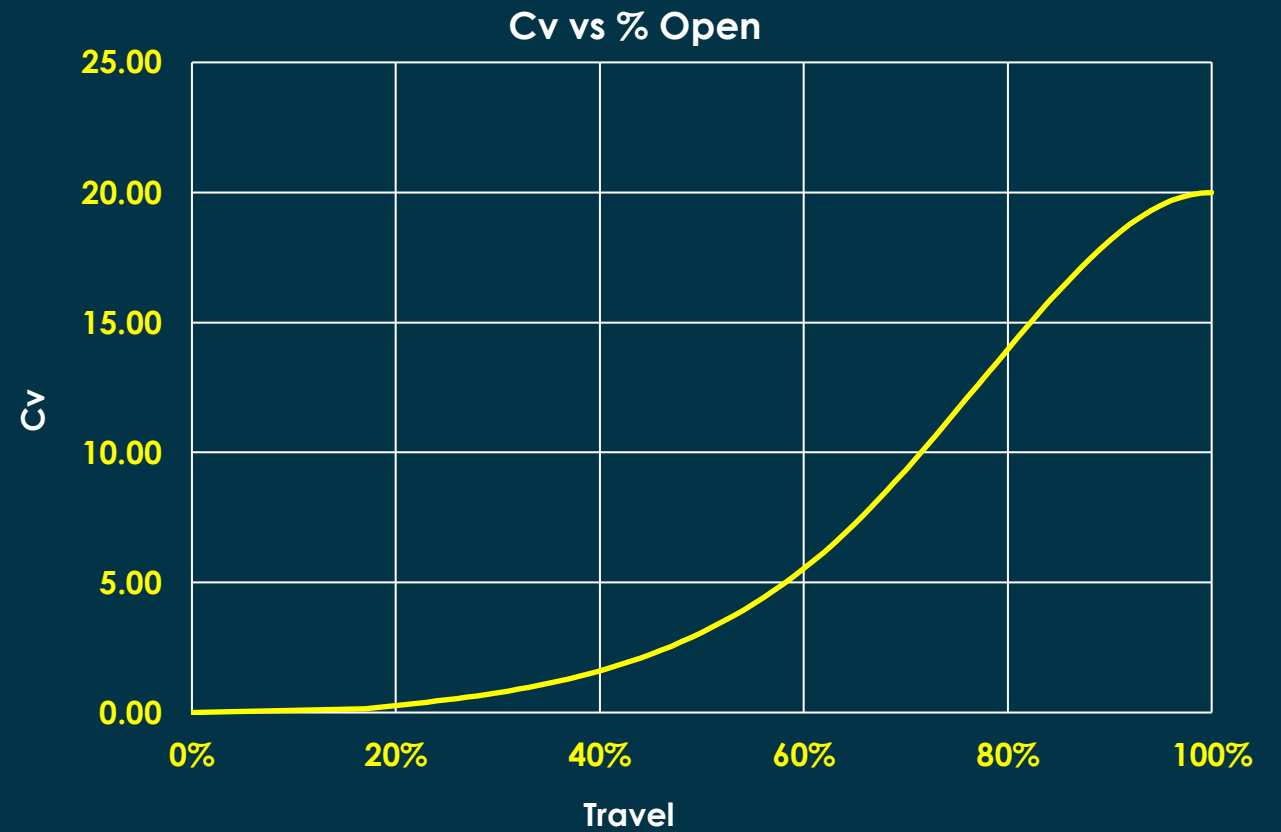
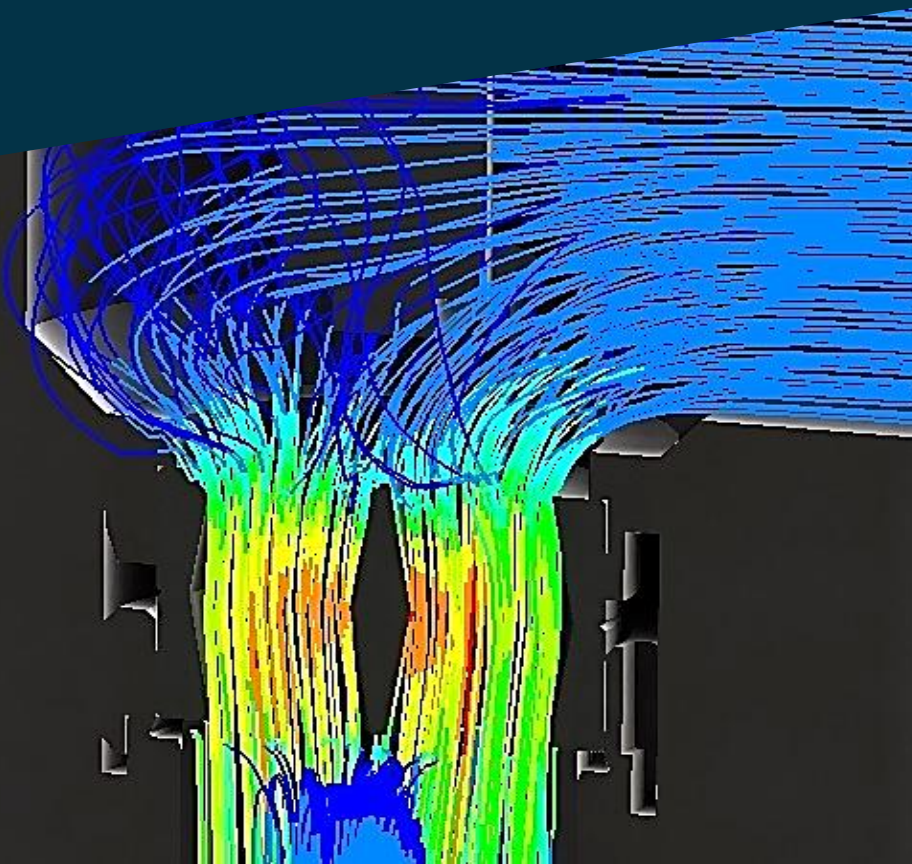
Complete Inspection and maintenance all without taking valve out of line

Bolted Bonnet Design



## CV DATA & FLOW CURVES

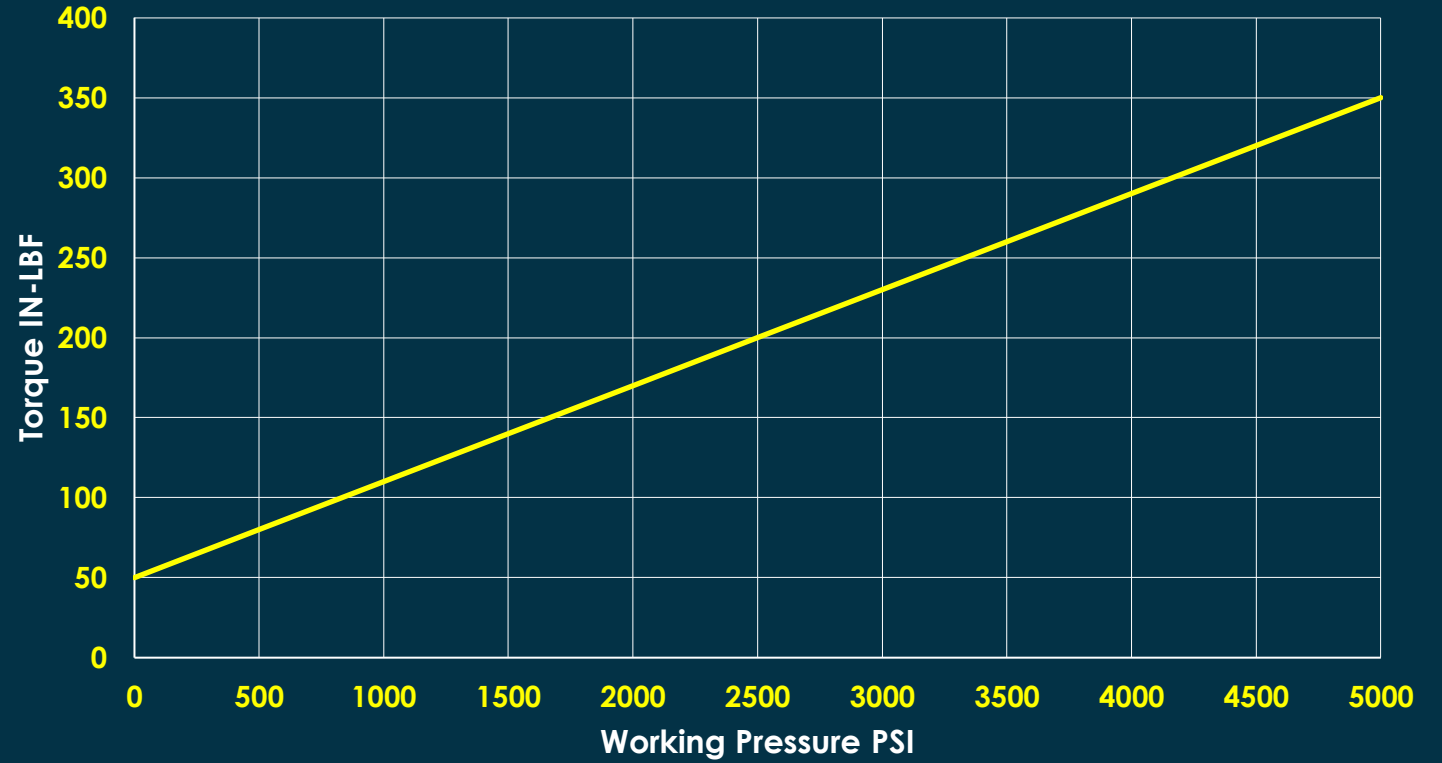
EA1 1" nom body - Max Cv: 20.0

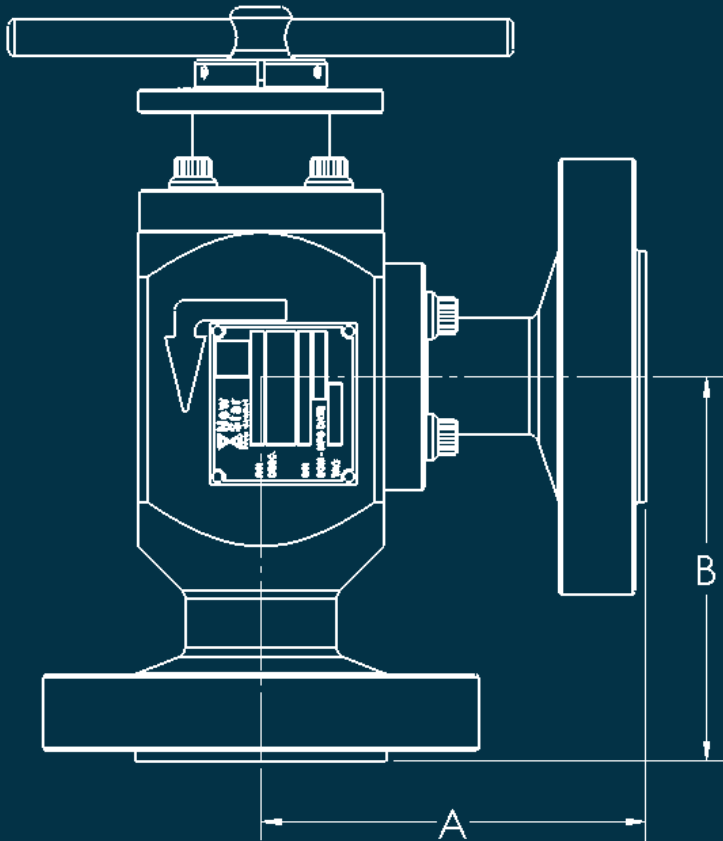


# OPERATING TORQUES



Operating Torque vs Working Pressure





**EA1 SERIES DIMENSIONS**

End Connections	Working Pressure	DIMENSIONS (Inches)	
		A	B
2" ANSI 600# RF	AS PER END CONNECTION	6.81	6.81
2" ANSI 900# RF		7.93	7.93
2" ANSI 1500# RF		7.93	7.93
2" ANSI 600# RTJ		6.88	6.88
2" ANSI 900# RTJ		8.00	8.00
2" ANSI 1500# RTJ		8.00	8.00
2" FNPT		8.00	8.00
2-1/16" API 5K		8.00	8.00